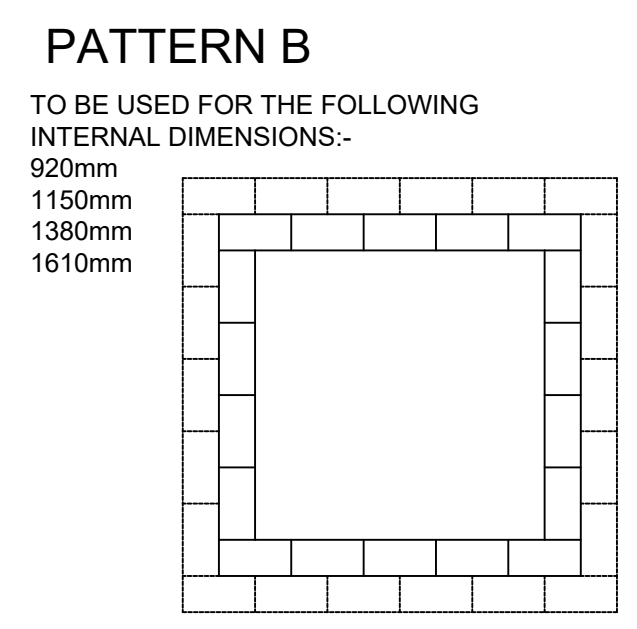
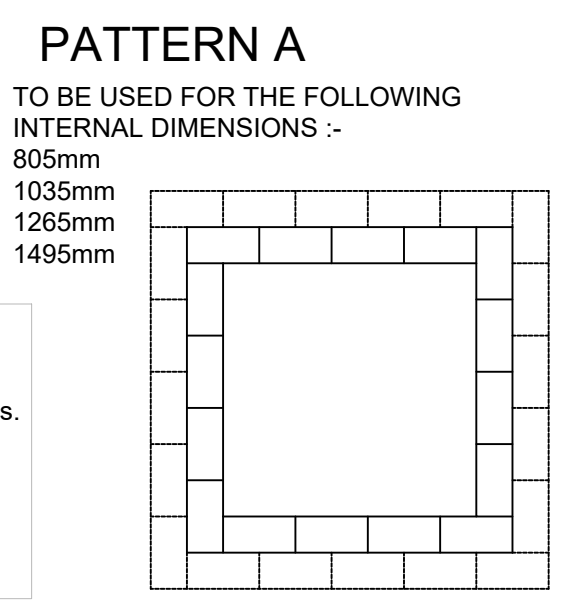
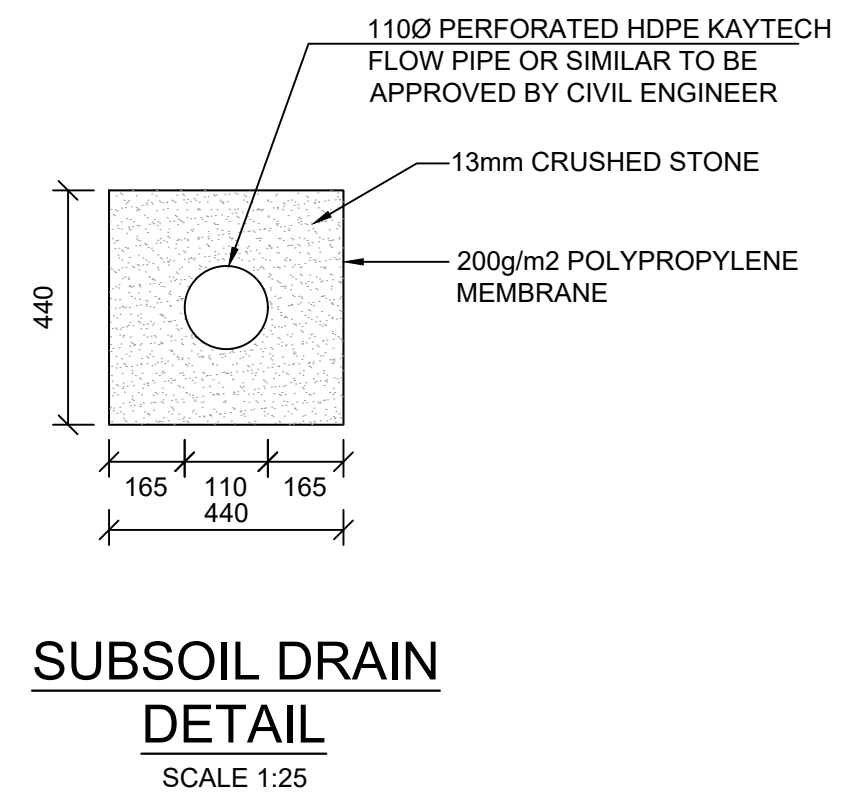
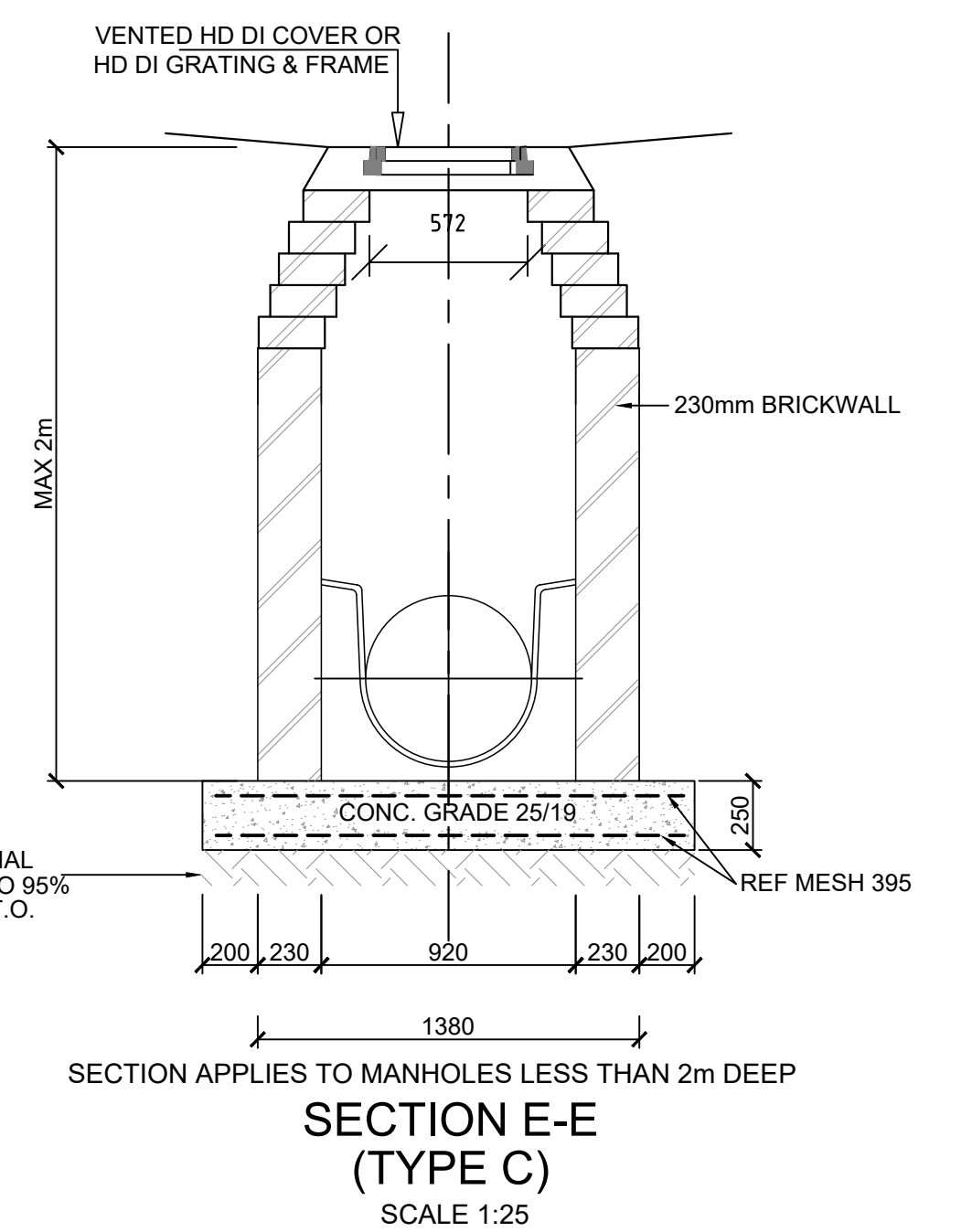
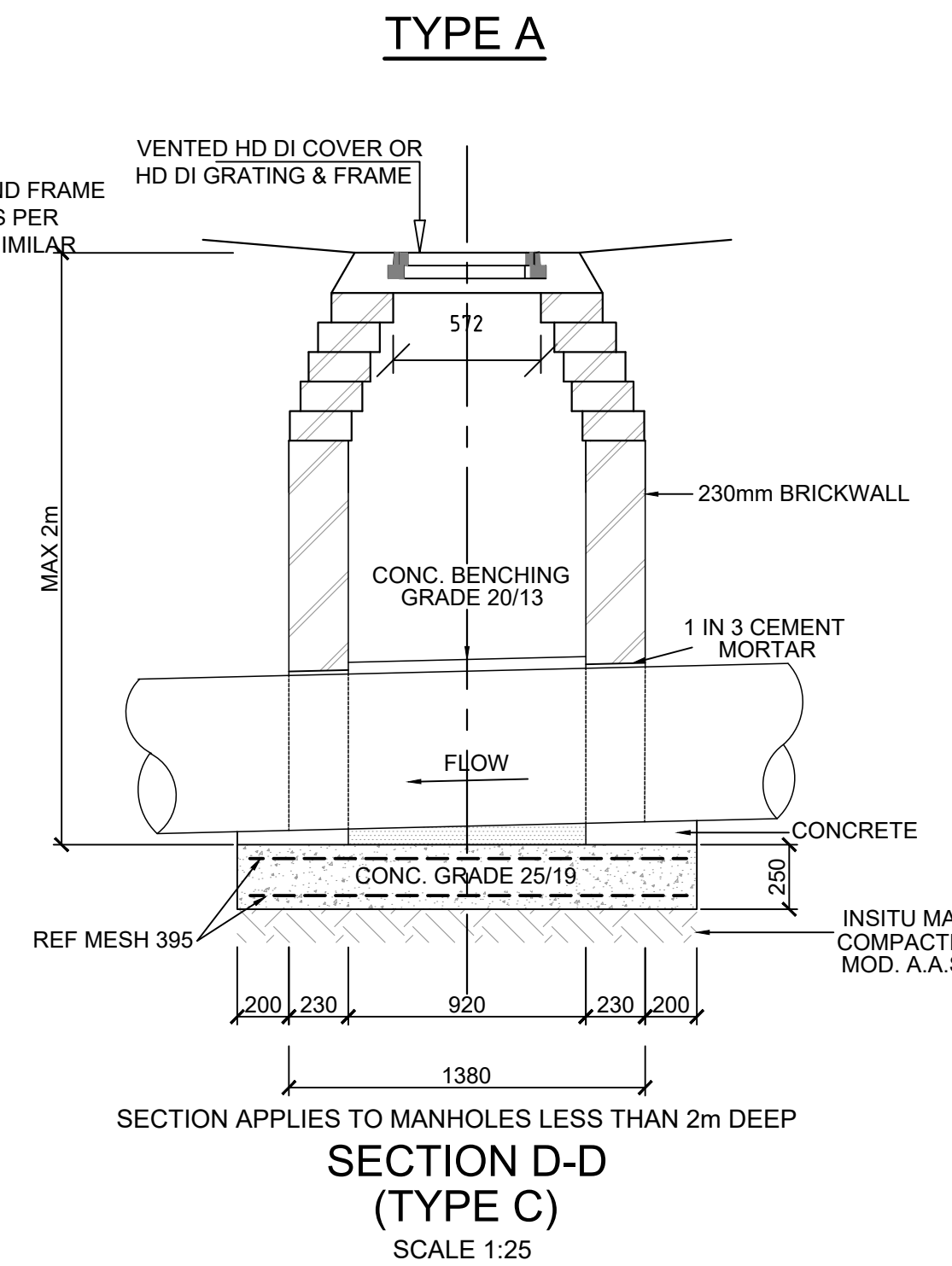
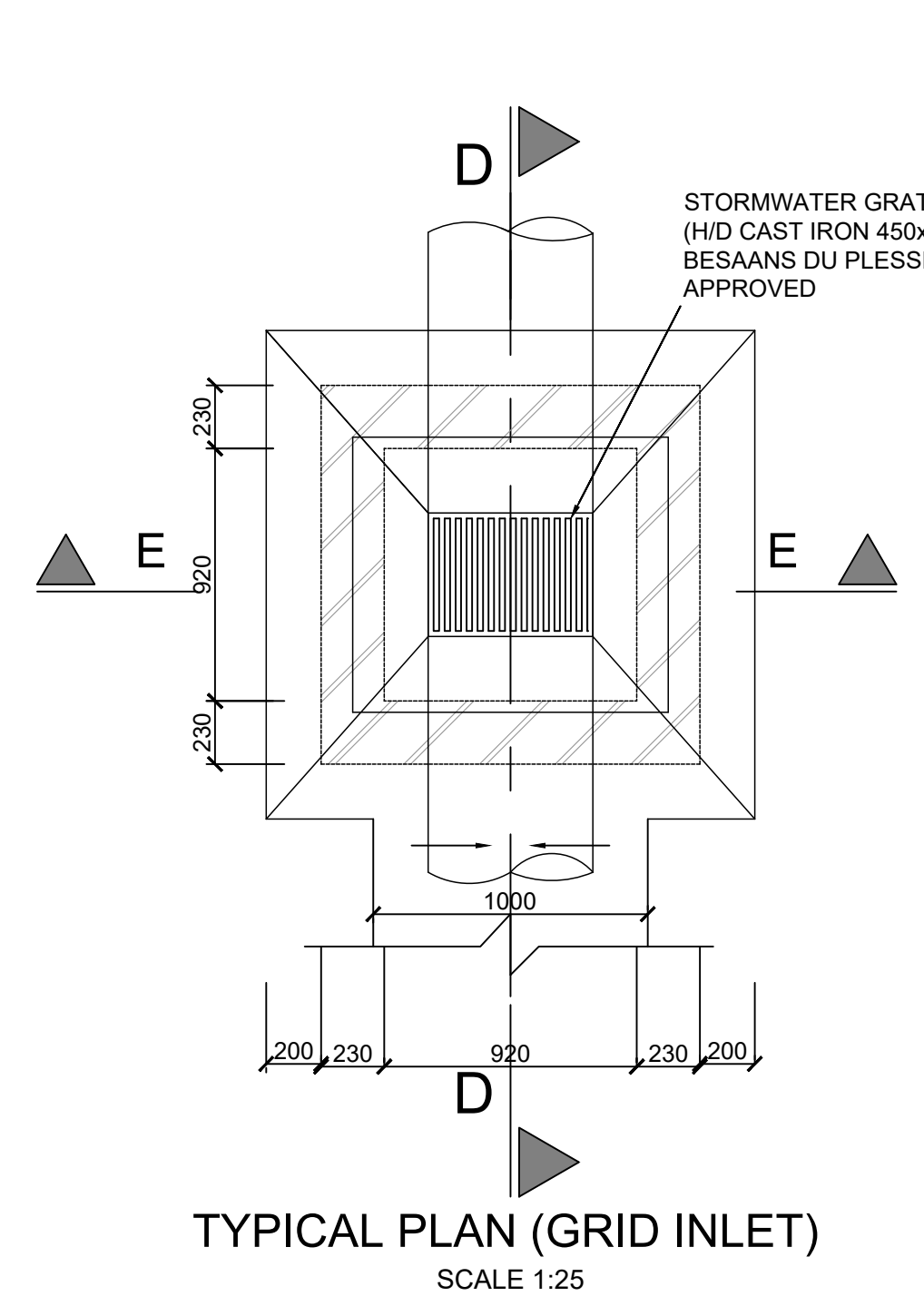
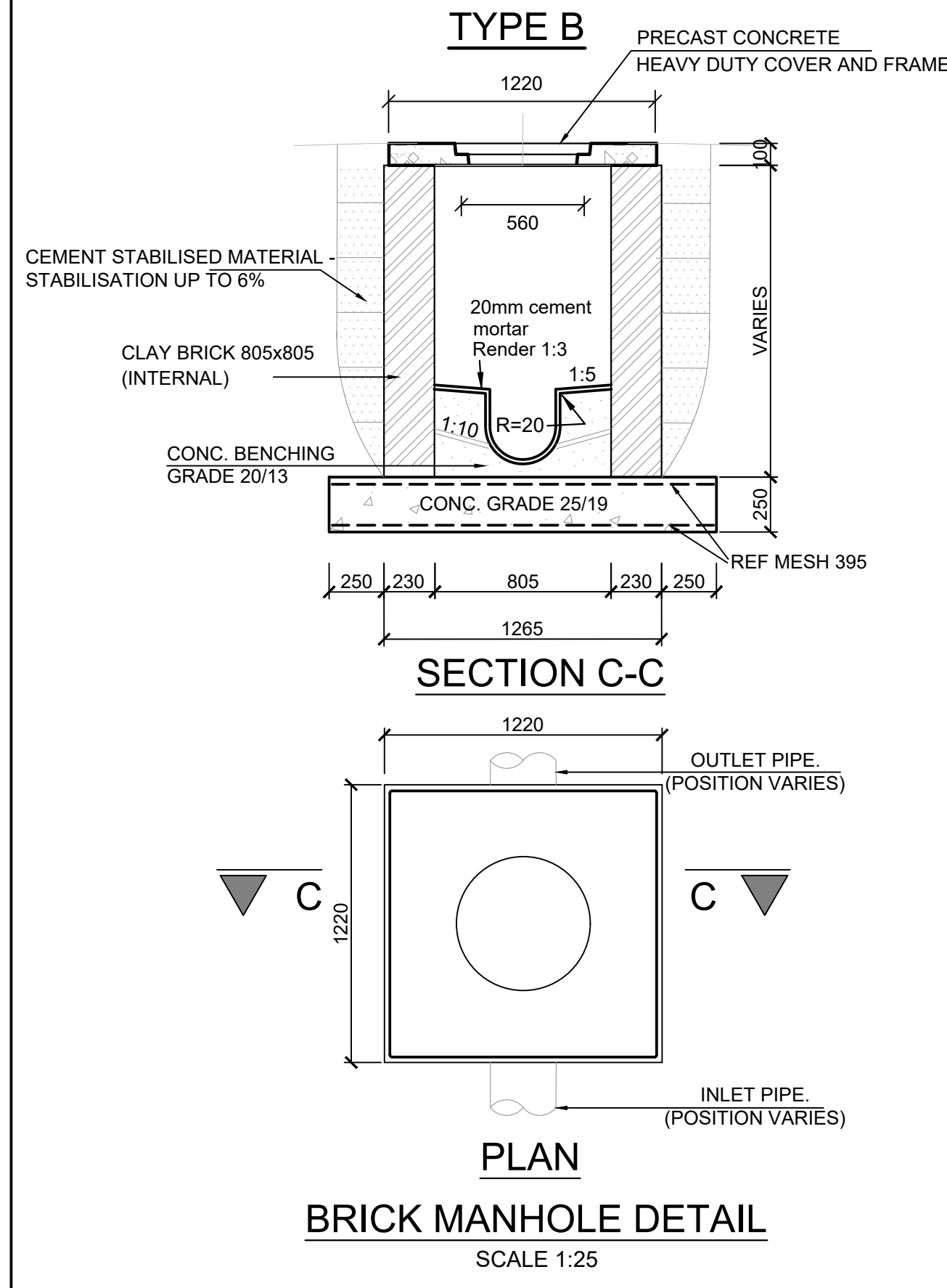


Scale AS SHOWN	Job No. 3873	Dwg No. 201	Rev A
Date 2019/09/20		Sheet:	



NOTES:

- All work to comply with the national building regulations sans 10400 & sans 1200
- Figured dimensions to be taken in preference to scaled dimensions. all dimensions and levels must be confirmed on site by contractor prior to the commencement of any work.
- This drawing is subject to copyright via the copyright act no. 98 of 1978. this drawing may not be distributed or copied without written permission of the author.

A	ISSUED FOR INFORMATION	JS	2019/09/20
Rev.	Amendment	App.	Date

**Delca Systems**  
Development • Engineering • Logistics • Consulting Africa

18 Westville Road, Westville 3630  
P.O Box 37064, Overport, 4067  
Tel: +27 31 266 5900  
Fax: +27 31 266 5926  
Email: info@delca.co.za

Client

Project

**Mandeni Youth Enterprise Park**

Description

**STORM WATER DETAILS**

Approved	Designed by	SM
	Drawn by	JS
Date :	Checked by	SM

Scale AS SHOWN	Page A1	Job No. 3873	Dwg No. 201	Rev A
Date 2019/09/20		Sheet:		

ISSUED FOR INFORMATION